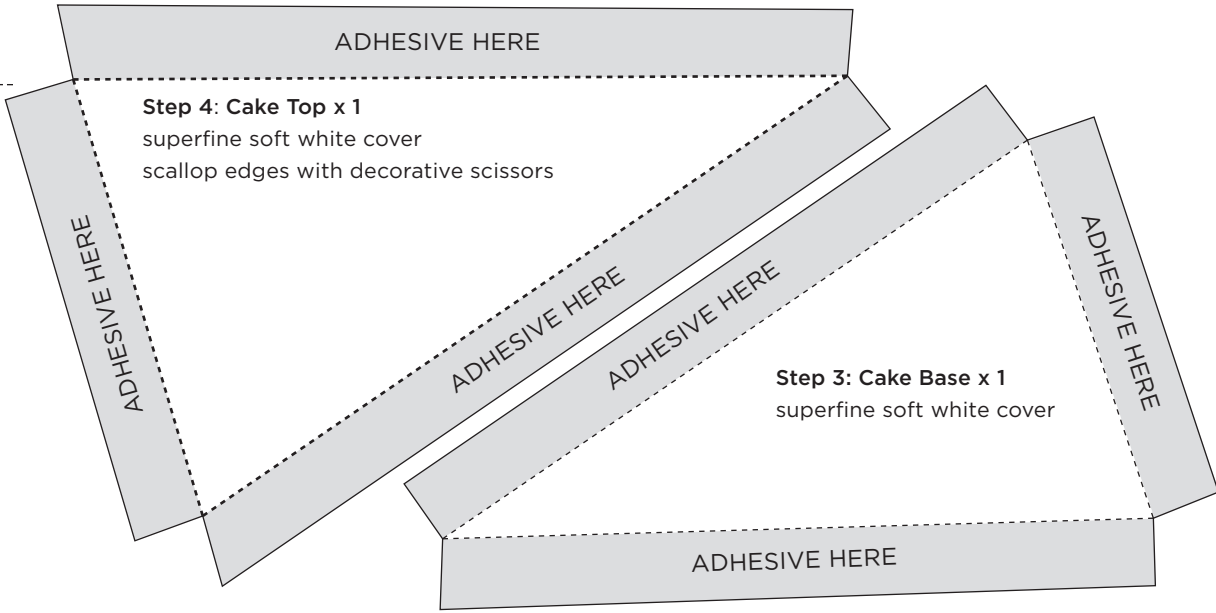
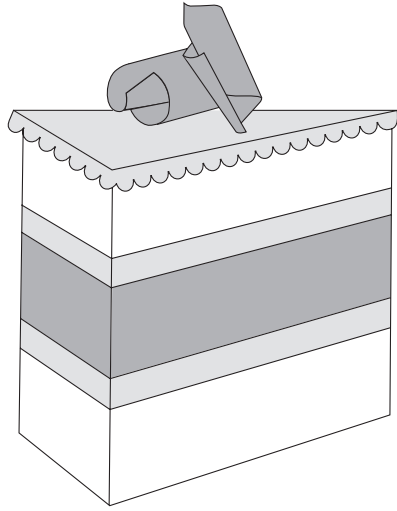


✂ SWEET TREAT KEEPSAKE

how-to ideas!



Step 4: Cake Top x 1
superfine soft white cover
scallop edges with decorative scissors

Step 3: Cake Base x 1
superfine soft white cover

Step 2B: Middle Cake Layer x 1
chocolate shimmer text
wrap around cake body

Step 2A: Cake Layer Top and Bottom x 2
stardream opal
wrap around cake body

Step 1: Cake Body x 1
superfine soft white cover

ADHESIVE HERE

ADHESIVE HERE

ADHESIVE HERE

Step 5A: Shaving x 1
chocolate shimmer text
curl around pencil

Step 5B: Shaving x 1
chocolate shimmer text
curl around pencil

These papers can be substituted for various colors to create your personal cake "flavor". Be certain to have at least three different types of paper to work with.

- MATERIALS NEEDED:**
- Superfine Soft White Cover paper
 - Chocolate Shimmer paper
 - Stardream Opal
 - X-acto Knife
 - Ruler
 - Cutting Mat
 - Bone Folder
 - Glue Stick
 - Scallop Scissors
 - Pencil

GETTING STARTED:
Begin by taking this sheet of paper and cutting out each cake part template. A template is noted by a "step". Cut along the solid lines. Once finished, you should have 8 cake parts. Next follow the instructions below for using each template with the paper listed or the decorative paper you have selected.

- INSTRUCTIONS:**
1. Cut decorative paper to match each template creating all 8 cake parts.
 2. Score & fold along dotted lines.
 3. Assemble steps in numbered order.
 4. Use image as reference.