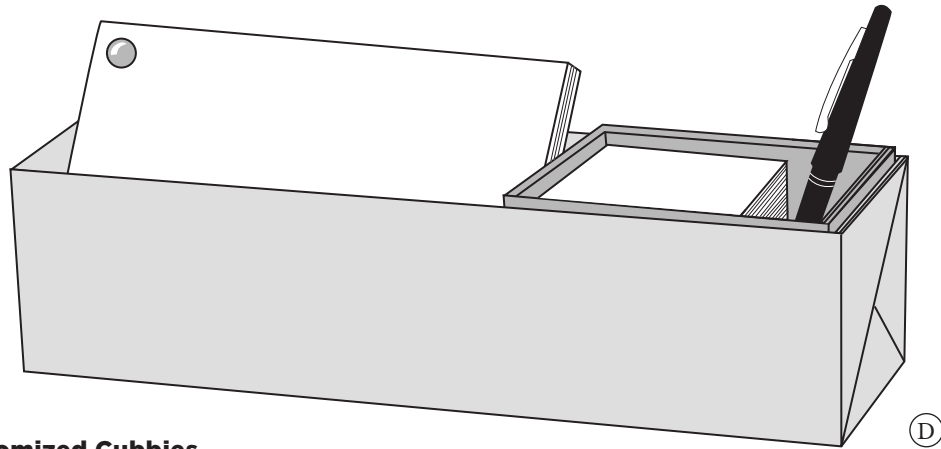


# ✂ CUSTOMIZED CUBBIES

how-to ideas!



## Customized Cubbies

### MATERIALS NEEDED:

chipboard sheets 8½" x 11" decorative paper • xacto & cutting mat or guillotine trimmer • ruler  
double stick tape • regular tape • scissors

### INSTRUCTIONS:

Use the instructions below as a guide to customize cubbies to whatever height & width you prefer to suit your own organizational needs!

(diagram A) This cubby measures 11" wide x 3" deep x 3" tall.

Cut chipboard for 1 cubby base.

Cut chipboard for 4 cubby walls.

Tape pieces, as shown, with space in between. (Tip: use the edge of a piece of chipboard as a spacer)

(diagram B) Cover cubby with decorative paper (decorative side down) by placing connected pieces on top of decorative paper (tape side down). Decorative paper should measure approximately 1" - 2" beyond chipboard pieces. Cut along diagonal lines.

(diagram C) Fold & double stick tape short straight sides (1).

Cut off the small exposed triangles from these folds (2).

Fold & double stick tape corners (3).

Fold & double stick tape long straight sides (4).

Cut off the small exposed triangles from these folds (5).

Fold corners to get crease & unfold (6).

(diagram D) Form cubby shape by lifting walls in place.

Fold & double stick corners (6) from long side on to OUTSIDE of cubby to hold shape together.

